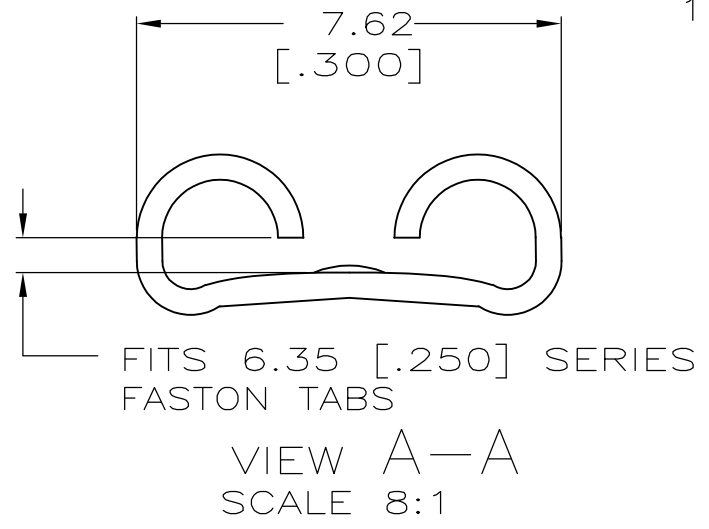
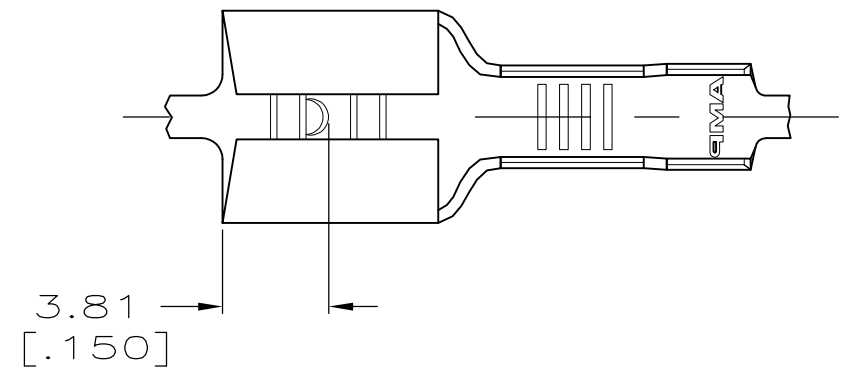
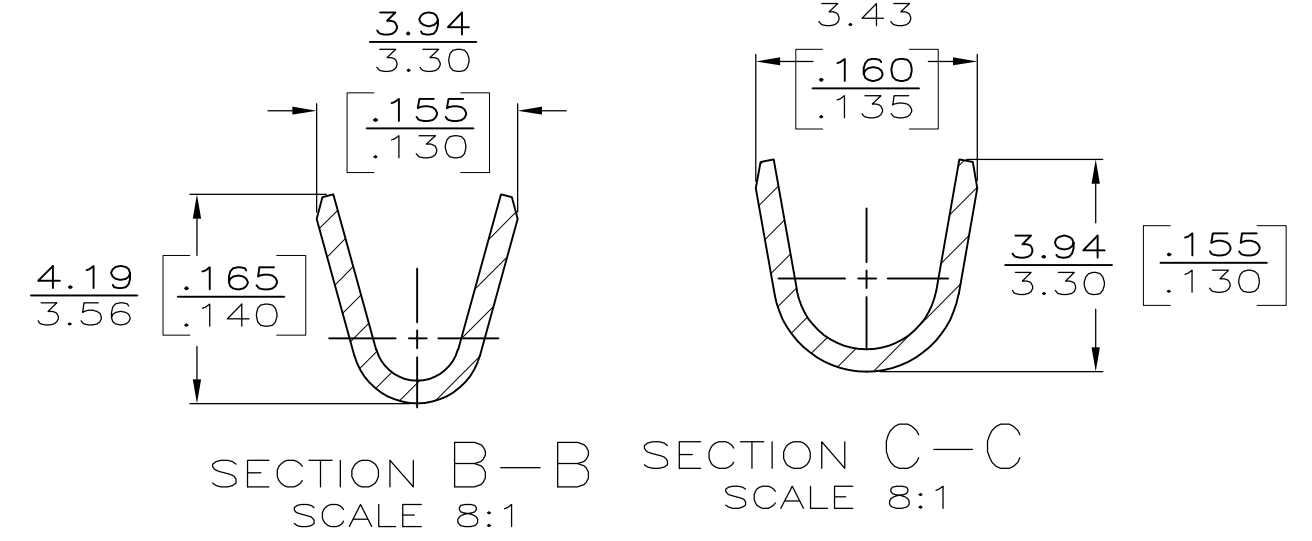
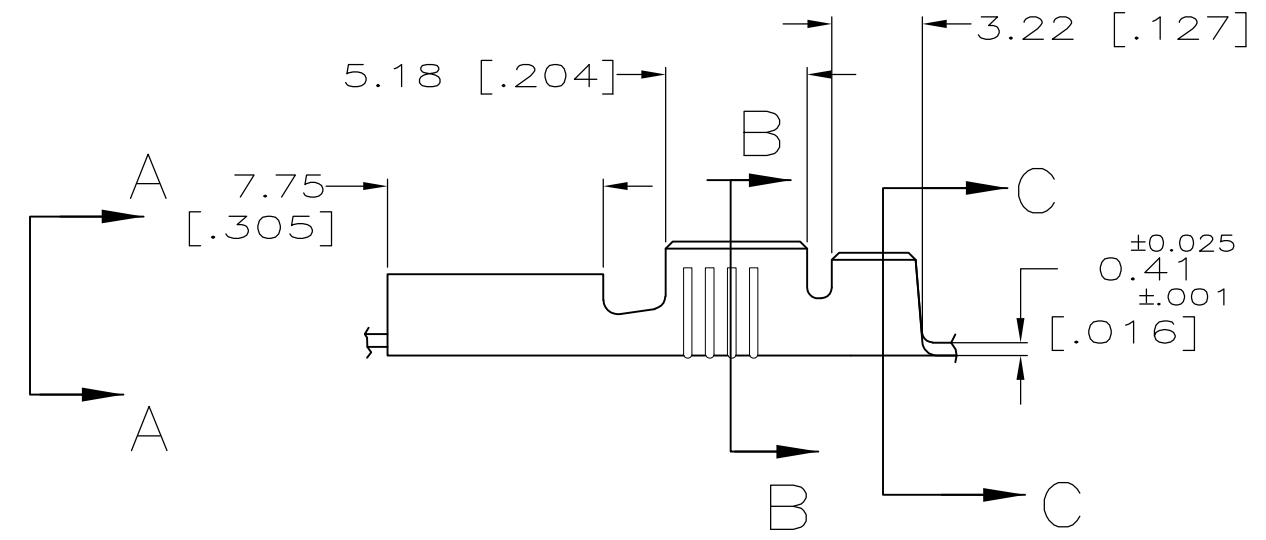


LOC		DIST		REVISIONS					
AF		50		P	LTR	DESCRIPTION	DATE	DWN	APVD
					C1	REVISED PER ECO-11-004917	11MAR11	RK	HMR



1 CONTINUOUS STRIP ON REELS.



1.52-2.79 DIA [.060-.110] DIA	0.8-2.0mm <sup>2</sup> [18-14] AWG	0.81 [.032]	63688-1
INSULATION RANGE	WIRE SIZE	MATING TAB THK ±0.025 [.001]	PART NO

THIS DRAWING IS A CONTROLLED DOCUMENT.		DWN JR RUTH 4/26/93	TE Connectivity				
DIMENSIONS: MM[INCHES]		CHK MS FEHER 4/26/93					
		APVD P DESANTIS 4/26/93					
TOLERANCES UNLESS OTHERWISE SPECIFIED: 0 PLC ± - 1 PLC ± - 2 PLC ± 0.25 [.010] 3 PLC ± - 4 PLC ± - ANGLES ± -		NAME RECEPTACLE, FASTON, 6.35 [.250] SERIES	SIZE	CAGE CODE	DRAWING NO	RESTRICTED TO	
MATERIAL TEMPER 2 STEEL		FINISH NICKEL 0.00381 [.000150] MIN	PRODUCT SPEC 114-2036	A3	00779	C-63688	-
CUSTOMER DRAWING			SCALE	4:1	SHEET	1 OF 1	REV C1